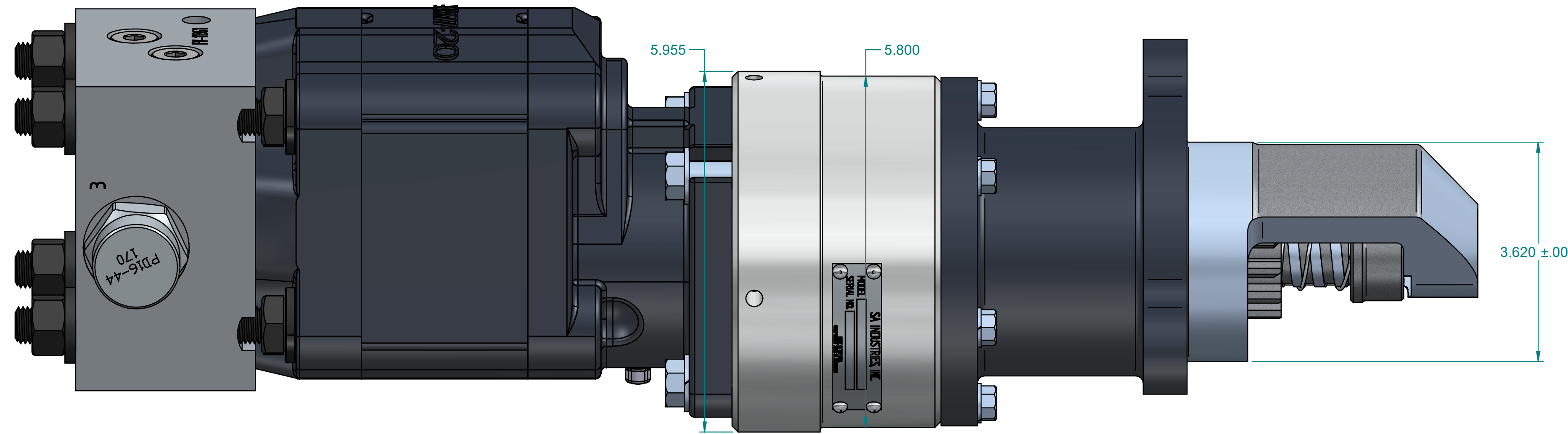
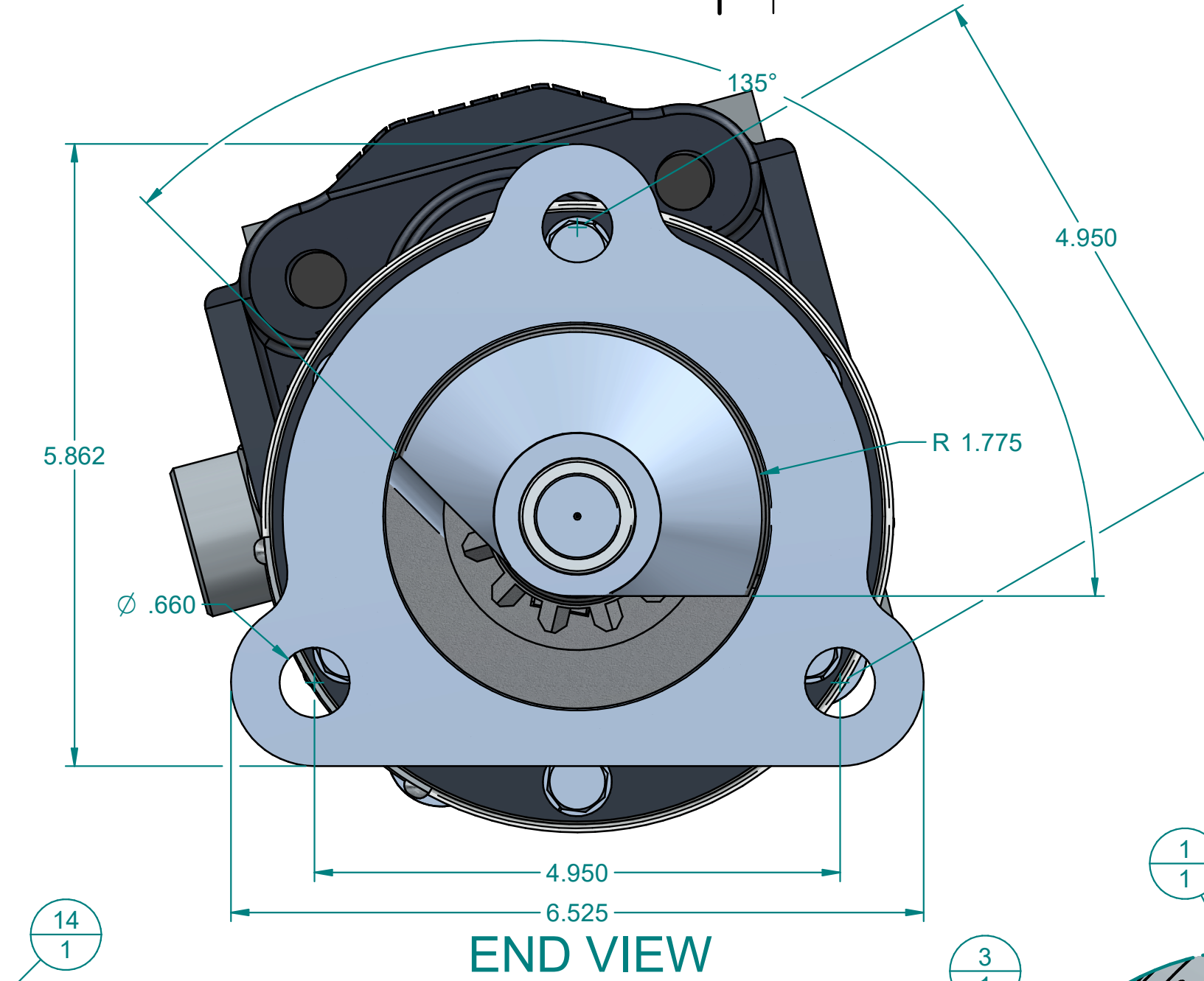


REVISION HISTORY			
REV	DESCRIPTION	DATE	APPROVED

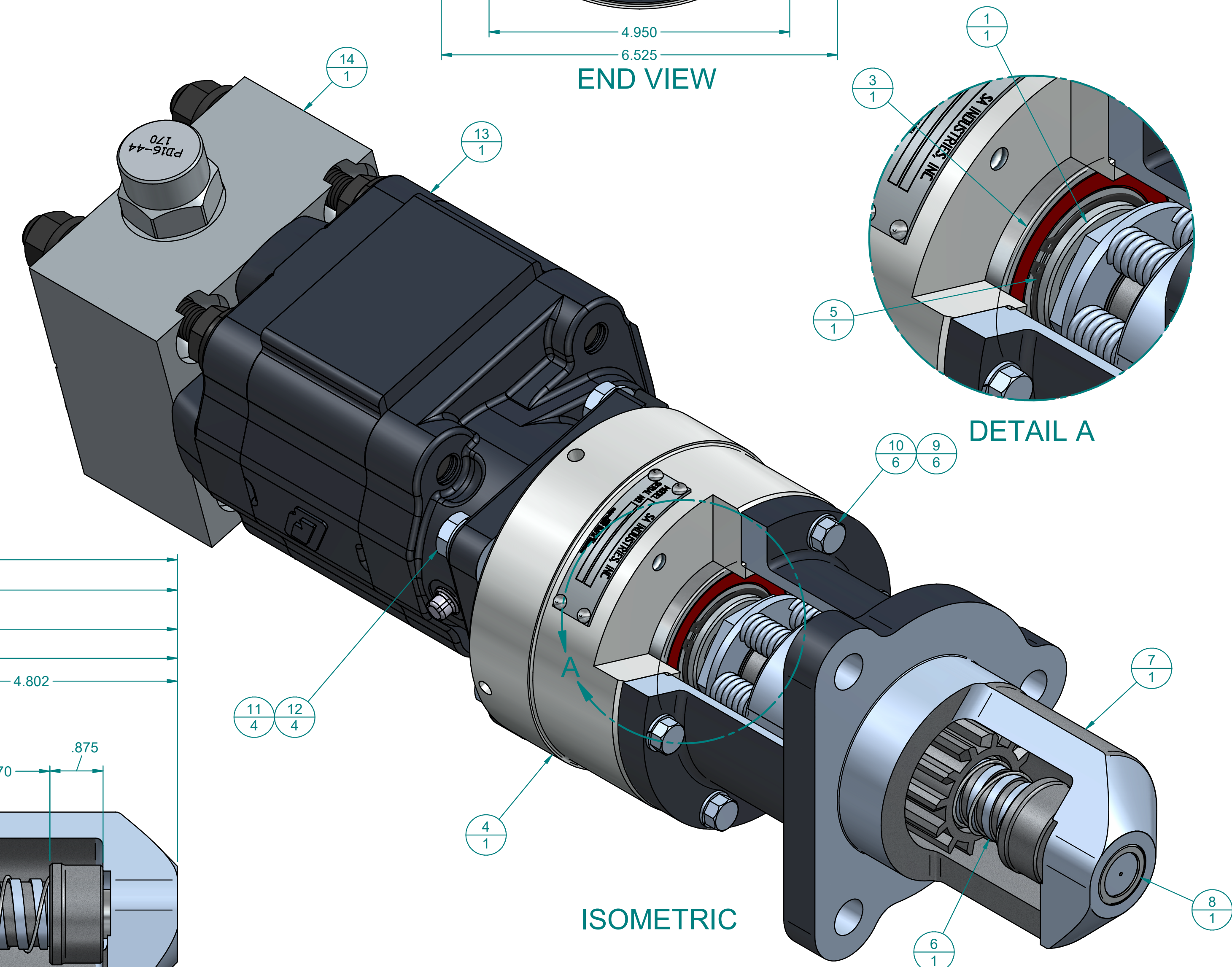


TOP VIEW

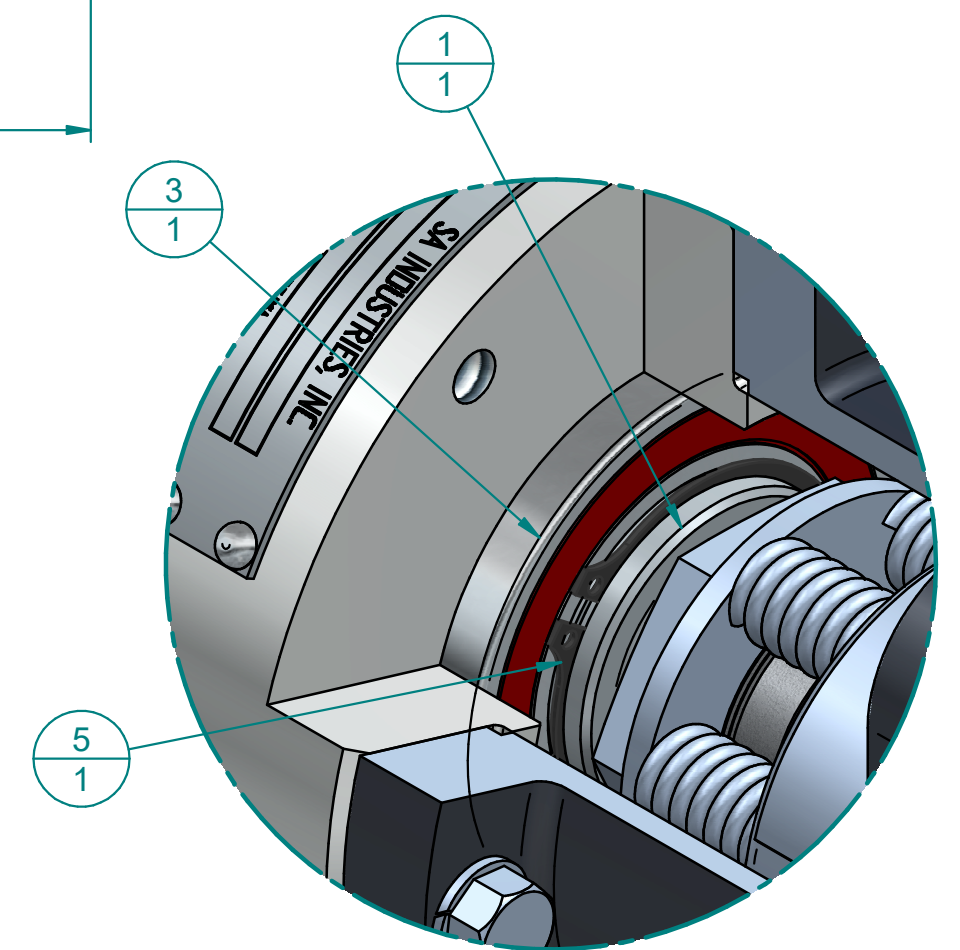


END VIEW

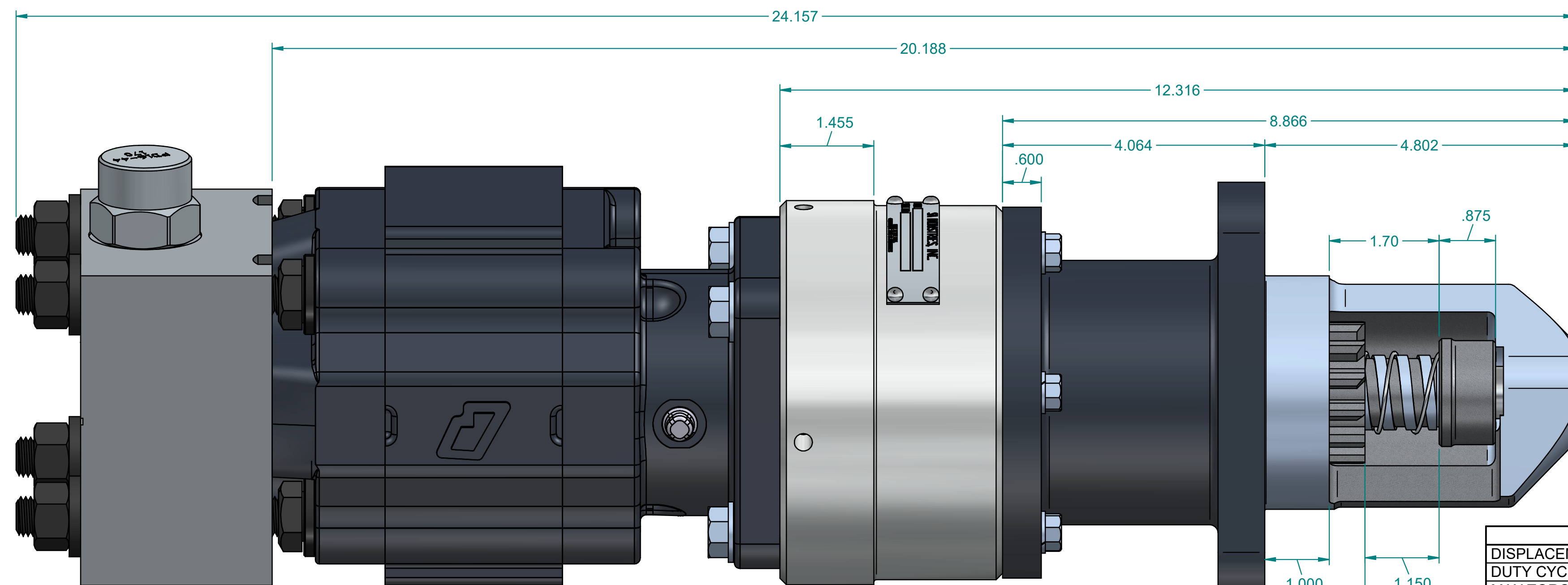
Parts List			
Item Number	Description	Quantity	Part Number
1	SHAFT	1	SA-70
2	WOODRUFF KEY, No. 11	2	SA-301-19
3	BEARING SEALED	1	SA-201-R40
4	BASE ADAPTER	1	SA-72
5	BEARING RETAINING RING	1	SA-71
6	DRIVE	1	SA-3111
7	DRIVE HOUSING	1	SA-301-5B
8	PILOT BEARING	1	SA-301-11A
9	LOCKWASHER	6	SA-301-26
10	BOLT	6	SA-301-28
11	LOCKWASHER	4	SA-6-113
12	BOLT	4	SA-6-114
13	MOTOR	1	SA5-DP100G20-C1
14	SOFT START VALVE ASSEMBLY	1	FV-11361-V1



ISOMETRIC



DETAIL A



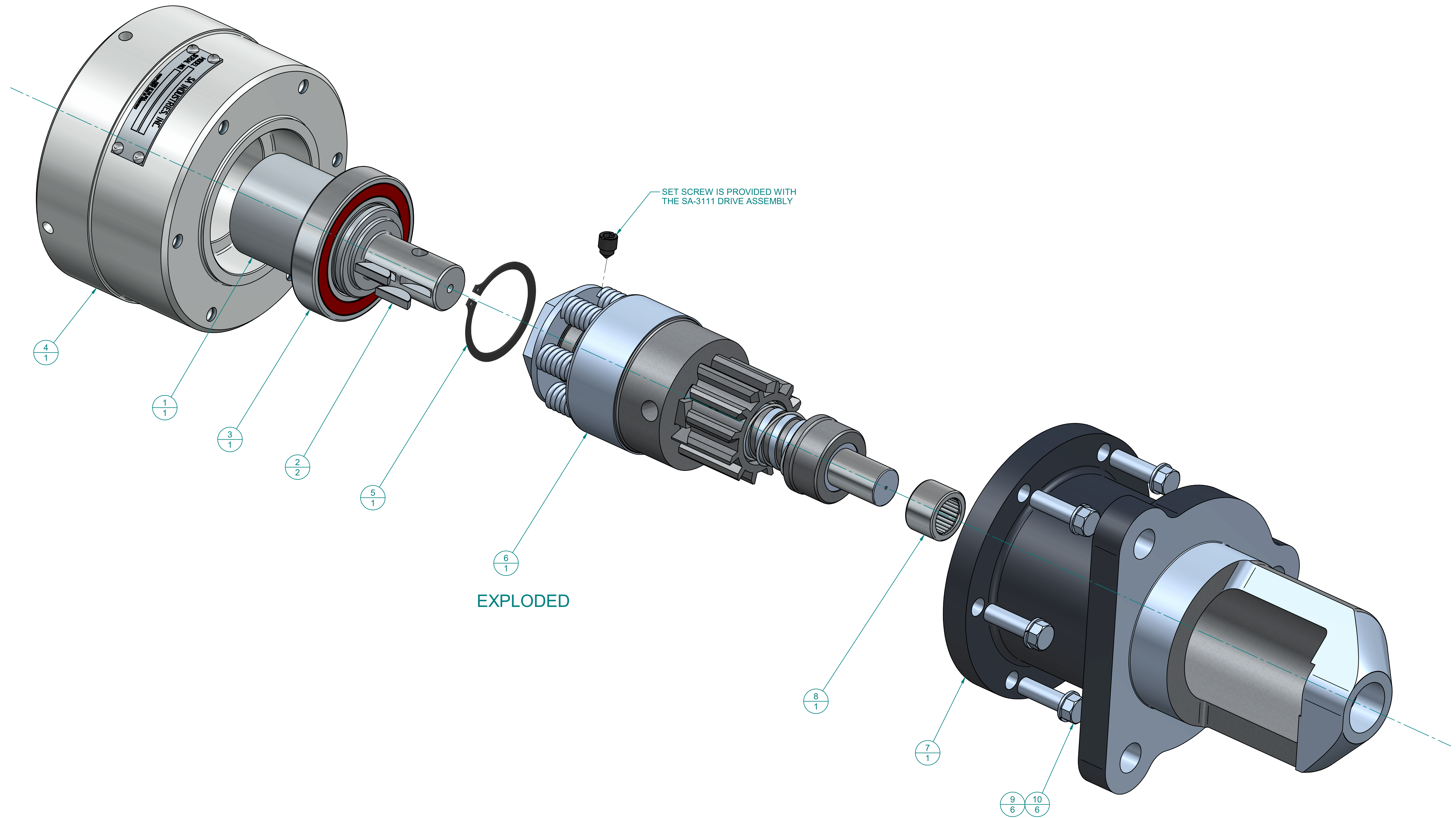
SIDE VIEW

PERFORMANCE DATA	
DISPLACEMENT	5.10 in ³ /REV
DUTY CYCLE	INTERMITTENT
MAX TORQUE RANGE	95-158 FT-LBS
MAX WORKING PRESSURE RANGE	2500-3000 PSI
SPEED RANGE	0-2000 RPM
ROTATION	CW

SA-3111 DATA	
NUMBER OF TEETH	12
OUTSIDE DIA.	2.25
PITCH DIA.	2.00
PITCH	6/8
PRESSURE ANGLE	20°
ROOT DIA.	1.72

DRAWN	TRH	DATE	12/11/15	SA Industries, Inc.
CHECKED				
ENG APPR				
TITLE				MODEL No. SA-300RH3-L13-M51-SSV
MGR APPR				
THIS DRAWING AND ALL INFORMATION THEREON IS THE PROPERTY OF SA INDUSTRIES AND SHALL NOT BE USED, COPIED OR REPRODUCED WITHOUT THE WRITTEN CONSENT OF SA INDUSTRIES.				REV 0
UNLESS OTHERWISE SPECIFIED DIMENSIONS ARE IN INCHES				FILE NAME: SA-300-RH3-L13-M51-SSV.dft
SCALE	NTS	WEIGHT		SHEET 1 OF 2

REVISION HISTORY			
REV	DESCRIPTION	DATE	APPROVED



	NAME	DATE	SA Industries, Inc.	
DRAWN	TRH	12/11/15	TITLE	
CHECKED			MODEL No. SA-300RH3-L13-M51-SSV	
ENG APPR			SIZE	DWG NO
MGR APPR			D	SA-300RH3-L13-M51-SSV
THIS DRAWING AND ALL INFORMATION THEREON IS THE PROPERTY OF SA INDUSTRIES AND SHALL NOT BE USED, COPIED OR REPRODUCED WITHOUT THE WRITTEN CONSENT OF SA INDUSTRIES.			REV	0
UNLESS OTHERWISE SPECIFIED DIMENSIONS ARE IN INCHES			FILE NAME: SA-300-RH3-L13-M51-SSV.dft	
SCALE: NTS	WEIGHT:		SHEET 2 OF 2	